

DZ1000 SERIES

DIGITAL INDICATING CONTROLLER



MODEL DZ10□□

The DZ1000 series is a new generation of high performance economical 96 x 96mm digital indicating controller, having the benefit of full multi-range inputs, selectable control outputs, combined with auto tune and fuzzy logic for precious and stable setpoint control.

An abundance of options are prepared, including digital communications, to allow system integration in an automated control strategy.



■ FEATURES

● Full Multi-range Inputs

Thermocouple, resistance thermometer, DC voltage, and current are defined by the input selector switch.

● Control Output Multi Functions

The on-off pulse output, SSR drive output, and current output signals are also selected, however the on-off servo type is supplied as a separate model.

● Auto Tuning and Fuzzy Functions are Provided as a Standard.

Automatic setting of PID constants, overshoot suppression, and other control functions can be done easily by using auto tune and fuzzy features.

● Easy Operation and Secure Running

Parameters (set values, alarms, and PID constants) that may be changed during operation can be configured easily according to the "display item guide."

Parameters that are rarely changed during operation are configured as engineering parameters by discriminating them from those in normal operation display.

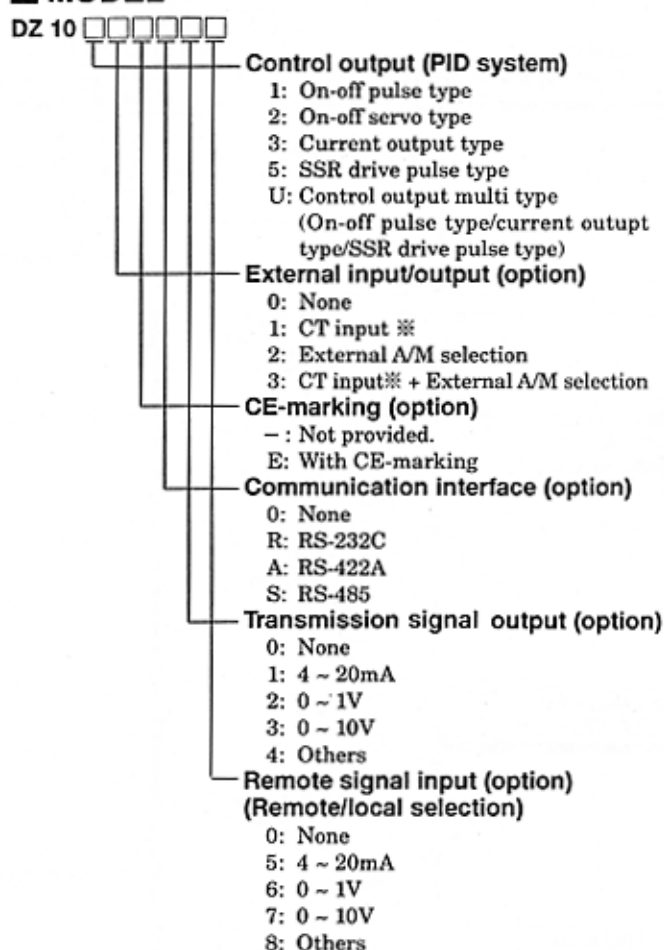
● Abundant Option Functions

Remote/local switching, transmission output, external auto/manual switching, heater breakage detection (CT) input, and other options are available.

● Simple Instrumentation by Communication Function

The system can easily be graded up by combining with a personal computer through the communication interface RS-232C, RS-422A, or RS-485.

■ MODEL



※ : [CT input (option: heater breakage detection)] is not applicable when the control output is [2 On-off servo type] and [3 Current output type].

■ NAMES OF COMPONENT PARTS

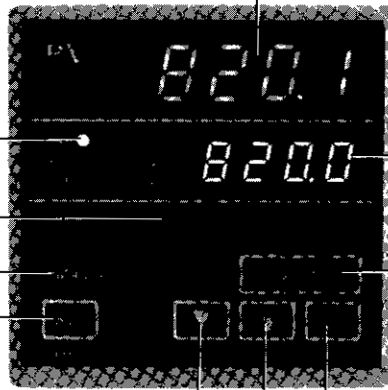
Display items guide display
 Indicates the display items of No.2 display in operation mode.
 SV : Lights when control set value (SV) is displayed.
 OUT: Lights when control output value is displayed.
 P : Lights when proportional constant (P) set value is displayed.
 I : Lights when integral constant (I) set value is displayed.
 D : Lights when derivative constant (D) set value is displayed.
 AL1 : Lights when alarm 1 set value is displayed.
 AL2 : Lights when alarm 2 set value is displayed.

Status display
 AL1 : Lights when alarm 1 occurred.
 AL2 : Lights when alarm 2 occurred.
 AT : Lights when auto tuning is executed.

Auto/Manual display
 MANUAL : Lights in manual output mode.

Select (SEL) key
 Selects parameters in operation mode and also selects either setting mode or operation mode.

Up (Δ) key, down (▽) key
 These keys are used to change set values or to select a mode in setting mode.



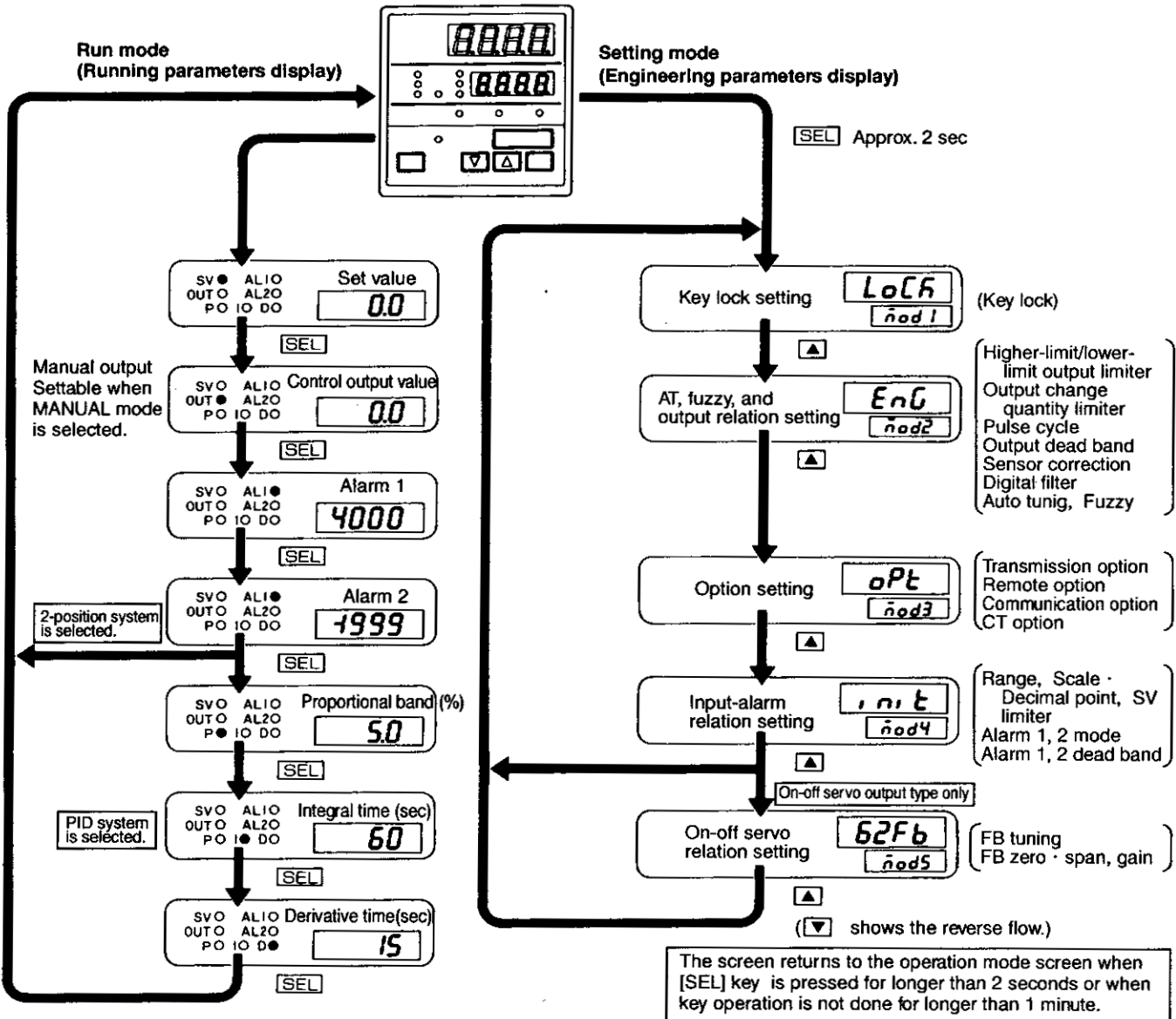
No.1 display
 Indicates process variable (PV) in operation mode or set contents in setting mode.

No.2 display
 Indicates control set values (SV), output values, alarm set values, and PID set values in operation mode or indicates mode No. and setting items in setting mode.

Auto/Manual (A/M) key
 Selects auto or manual output mode.

Entry (ENT) key
 This key is used to set the desired constants to be set or functions to be selected.

■ PARAMETERS SETTING AND DISPLAY



■ GENERAL SPECIFICATIONS

Input signal : Thermocouples ... B, R, S, N, K, E, J, T, U,
L

DC voltage $\pm 20\text{mV}$, $\pm 5\text{V}$

DC current 0 to 20mA

Resistance thermometer
Pt100, JPt100, Old Pt50

Measuring range:

See the measuring range table.

(Settable within the range in case of DC voltage and current input)

Multi-range consisting of 11 kinds of thermocouple range, 2 kinds of DC voltage range, 1 kind of DC current range, and 5 kinds of resistance thermometer range (19 kinds in total)

(Internal switch selection)

Measuring accuracy rating :

$\pm 0.3\%$ of measuring range ± 1 digit

(Under the reference operating conditions)

Exceptional provisions:

Thermocouple input	Temperature range	Accuracy
B thermocouple	Higher than -200°C but lower than 0°C	$\pm 0.6\%$ of measuring range ± 1 digit
	Higher than 0°C but lower than 400°C	$\pm 5\%$ of measuring range
R thermocouple	Higher than 400°C but lower than 800°C	$\pm 0.6\%$ of measuring range ± 1 digit
	Higher than 0°C but lower than 200°C	$\pm 0.6\%$ of measuring range ± 1 digit
S thermocouple	Higher than 0°C but lower than 200°C	$\pm 0.6\%$ of measuring range ± 1 digit

Reference operating conditions :

Ambient temperature $23^{\circ}\text{C} \pm 2^{\circ}\text{C}$

Ambient humidity $55\% \pm 5\%\text{RH}$

Power voltage $100\text{VAC} \pm 1\%$,
 $50/60\text{Hz} \pm 1\%$

Warm-up time Longer than 30min.

Condition free of being affected by the instrument operation.

Temperature measuring unit :

$^{\circ}\text{C}$ or $^{\circ}\text{F}$ (Internal switch selection)

Sampling cycle: Approx. 0.2sec.

Burnout : Higher-limit burnout is provided for the thermocouple input, resistance thermometer input, and mV input as the standard equipment.

Output 0% and higher-limit alarm ON at burnout

Measuring input shift (Sensor correction) :

-200 to 1000 times of setting resolution

Digital filter : 0.0 to 99.9sec

Scaling : Range/scale optional setting (-1999 to 9999) in case of voltage and current inputs

Scale decimal point : 0 to 3

Display system :

4-digit 2-stage display by 7-segment LED

7-display item guide displays by individual LED

4-status displays by individual LED (2 alarm points, AT, and auto/manual display)

Display contents :

No.1 display LED ... Display color Green
Process variables (PV) in operation mode
Set contents in setting mode

No.2 display LED ... Display color Red
Control set value (SV), output values, alarm set value, P, I, D in operation mode
Parameter setting items in setting mode

Status 1 ... Display color Red
AL1 — Lights when alarm 1 occurred.
AL2 — Lights when alarm 2 occurred.
MANUAL — Lights when control output value is adjusted manually.

Status 2 ... Display color Green
AT — Lights when auto tuning is executed.

Display item guide ... Display color Green
SV — Lights when control set value is displayed.

OUT — Lights when control output value is displayed.

AL1 — Lights when alarm 1 set value is displayed.

AL2 — Lights when alarm 2 set value is displayed.

P — Lights when proportional constant is displayed.

I — Lights when integral constant is displayed.

D — Lights when derivative constant is displayed.

Display resolution :

Temperature input

0.1°C (when the measuring input is lower than the maximum value 1000°C)

1°C (when the measuring input is higher than the maximum value 1000°C)

DC voltage, current input 4-digit display (Decimal point position and scaling are optional.)

Automatic reset :

Reset to operation mode automatically, if no key operation is done for longer than 1 minute in setting mode.

Rated supply voltage :

100 to 240VAC, 50/60Hz free
 ※ 50/60Hz setting is to be set in case of CT input option.

Allowable power voltage : 90 to 264VAC

Working temperature range : -10 to 50°C

Working humidity range :

20 to 90%RH (No dew condensation is allowable.)

Countermeasure against power interruption :

Set contents are held for longer than 10 years by the lithium battery.

Allowable signal source resistance :

Thermocouple, DC voltage
 Lower than 100Ω
 Resistance thermometer
 Lower than 5Ω per wire
 (Wiring resistance of 3 wires shall be equal to each other.)

Input resistance :

Thermocouple, DC voltage
 Higher than 5MΩ
 DC current Approx. 35Ω

Measuring current (Resistance thermometer input): 2mA ± 20%

Maximum allowable input range :

DC voltage ± 6V
 DC current 25mA

Maximum common mode voltage : 250VAC

Common mode rejection ratio : More than 130dB

(Signal source resistance: Lower than 1Ω)

Series mode rejection ratio :

More than 50dB
 (Signal source resistance: Lower than 1Ω)

Insulation resistance :

Power terminals - protective conductor terminal 500VDC, Higher than 20MΩ)
 Measuring terminals - protective conductor terminal 500VDC, Higher than 20MΩ)
 Measuring terminals - power terminals 500V DC, Higher than 20MΩ)

Dielectric strength :

Power terminals - protective conductor terminal 1500VAC, 1 min.
 Measuring terminals - power terminals 1500V AC, 1 min.
 Measuring terminals - protective conductor terminal 500VAC, 1 min.

Power consumption : Max. approx. 15VA

Case and terminal cover : ABS resin

Color : Gray

Front panel : IEC529 IP65

Mounting method : Flush-panel mounting

Weight : Approx. 600g

■ **CONTROL SPECIFICATIONS**

Control switching cycle : Approx. 0.2sec

Control system (PID system)

: Current output type
 On-off pulse type
 SSR drive pulse type
 Current output type/On-off pulse type/SSR drive pulse type, Multiple On-off servo type PID system (2-position outputs are selectable by DIP switches)

Control set value

: Within the measuring range (-1999 to 9999)

Control setting accuracy rating

: ± 1 digit (Relative error to indicating values)

Auto tuning : Standard equipment

PID constants are manually settable.

PID constants : P 0.1 to 999.9%

I 0 to 9999 sec

D 0 to 9999 sec

Fuzzy function: Overheat suppression function by fuzzy operation is provided as the standard equipment.

ON/OFF settable (PID system only)

Output limiter : Higher limit 0.0 to 105.0%

Lower limit -5.0 to 100.0%

Output variable limiter

: 0.1 to 100.0%

Output dead band

: 0.1 to 9.9%

(In case of 2-position system control)

Auto output/Manual output (AUTO/MANUAL)

: Balanceless bumpless selection

Manual output range

: -5.0 to 105.0% (Settable every 0.1%)

Control action : Direct action/reverse action are selectable by DIP switches.

Output Specifications

* Current output type PID controller

Output signal : 4 to 20mADC
Load resistance : Lower than 600Ω

* On-off pulse type PID controller

Output signal : On-off pulse conductive signal
Contact capacity : Resistive load 100VAC 2A,
 200VAC 1A
 Inductive load 100VAC 1A,
 200VAC 0.5A
 Minimum load 10mA, 5VDC
 or higher

Electrical life of relay

: More than 100,000 times

On-off pulse cycle: Approx. 1sec to approx. 120sec
 variable (1-sec step)

Contact protective device

: Not built in. (An option contact protective device is externally mounted as occasion demands.)

* SSR drive type PID controller

Output signal : DC voltage pulse signal
 ON 12VDC \pm 20%
 (max. 20mA)
 OFF Lower than 0.8VDC

Pulse cycle : Approx. 1sec to Approx. 120sec
 variable (1-sec step)

* On-off servo type PID controller

Output signal : On-off servo conductive signal
Contact capacity : Resistive load 100VAC 2A,
 200VAC 1A
 Inductive load 100VAC 1A,
 200VAC 0.5A
 Minimum load 10mA, 5VDC
 or higher

Electrical life of relay

: More than 100,000 times

Contact protective device

: Not built in. (An option contact protective device is externally mounted as occasion demands.)

■ ALARM SPECIFICATIONS

No. of alarm points : 2 points (AL1, AL2)

Alarm system

: Absolute value alarm
 Higher-limit/lower-limit, Standby function provided/not provided
 Deviation alarm
 Higher-limit/lower-limit, Standby function provided/not provided
 Heater breakage alarm (Only when the CT input option is provided in pulse output type.)

Alarm dead band

: 1,000 times of the setting resolution from 0

Alarm output

: Output signal Relay A contact output
 (Common)

Contact capacity

: Resistive load 100VAC 0.5A, 200VAC 0.2A
 Inductive load 100VAC 0.2A, 200VAC 0.1A
 Minimum load 10mA, 5VDC or higher

Electrical life of relay

: More than 100,000 times

Contact protective device

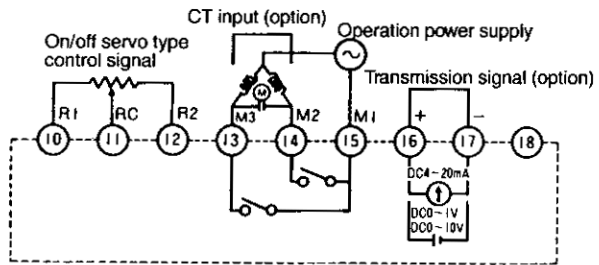
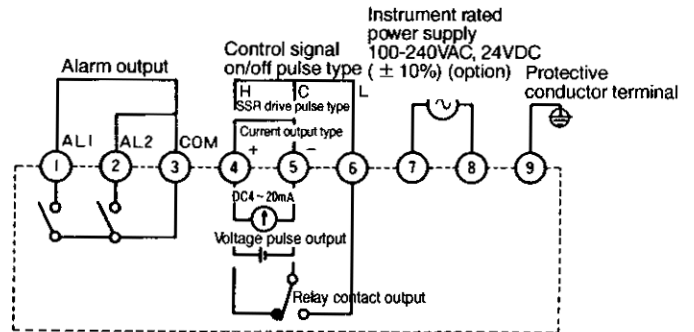
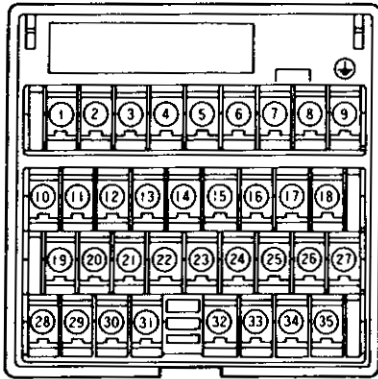
: Not built in. (An option contact protective device is externally mounted as occasion demands.)

■ OPTION SPECIFICATIONS

Option name	Contents
Communication interface	<p>Communication types : One of RS-232C, RS-422A, or RS-485 is to be specified.</p> <p>Transmission speed : One of 9600, 4800, 2400, or 1200bps is settable.</p> <p>Address: 01 to 99</p> <p>Communication function : One of setting, data send, digital transmission, or communication remote functions is settable.</p>
MOBUS communications	<p>The model with MOBUS as communication protocol</p> <p>Communications type : One of RS232C, RS-422A, or RS-485 is to be specified.</p> <p>Transmission mode : RTU mode/ASCII mode</p> <p>Transmission speed 19200 or 9600 bps is settable.</p> <p>Address: 01 to 31</p> <p>Communications function : One of setting data send, digital transmission, or communications remote function is settable.</p> <p>Digital transmission types : One of PV, SV, MV, RSV, or MFB (on-off servo type opening) is settable.</p>
Transmission signal output	<p>Output signal (Designate 1 type) : 4 to 20mADC (Load resistance: Lower than 600Ω) 0 to 1VDC, 0 to 10VDC (Output resistance approx. 15Ω Maximum load current 2mA)</p> <p>Output accuracy : ± 0.5% of the transmission scale range (Excluding the measuring accuracy under the reference operating conditions)</p> <p>Output resolution : Approx. 1/3000</p> <p>Transmission type : One of PV, SV, MV, RSV, or MFB (On-off servo type opening) is settable.</p> <p>Transmission scale : -1999 to 9999 optionally settable (Minimum value/maximum value)</p> <p>[Reference] Temperature coefficient : 0.2 to 0.3% /10°C</p>
Remote/Local selection	<p>Input signal (Designate 1 type) : 4 to 20mADC (Input resistance approx. 50Ω) 0 to 1VDC (Input resistance approx. 500kΩ or over) 0 to 10VDC (Input resistance approx. 100kΩ or over)</p>

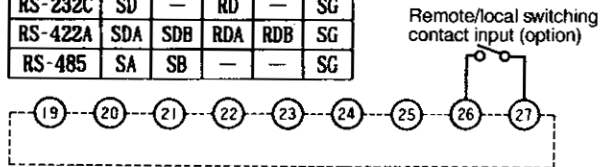
Option name	Contents
	<p>Input accuracy : ± 0.5% of input range ± 1 digit (Under the reference operating conditions)</p> <p>Input accuracy : ± 0.5% of input range ± 1 digit (Under the reference operating conditions)</p> <p>Remote scale : -1999 to 9999 optionally settable (Maximum value/minimum value)</p> <p>Remote shift : -200 to 1000 times of the setting resolution</p> <p>Remote/Local selection : External contact signal External contact capacity : 5VDC, 2mA or higher</p>
Heater breakage detection function (CT input)	<p>Input signal : 0 to 5AAC (50/60Hz) Resolution : Approx. 1/100</p>
Auto/manual external switching	<p>Auto output and manual output are selectable by an external contact input. External contact capacity : 5VDC, 2mA or higher</p>
External contact protective device	<p>For light load : 0.01μF + 120Ω (Switching current: Lower than 0.2A) For heavy load : 0.5μF + 47Ω (Switching current: Higher than 0.2A)</p>
Front protective cover	<p>Transparent acryl</p>
24VDC drive	<p>Power supply : 24VDC (± 10%) Power consumption : About 10W</p>
CE-marking	<p>Standards : EN55011 group 1 class A EN50082-2 (Industrial environment)</p> <p>Rated supply voltage : 24VDC (within ± 10%) Power consumption : About 10W Rated value of control output (On-off pulse type, On-off servo type) Contact capacity : Resistive load - 30VAC 2A, 24VDC 1A Inductive load - 30VAC 1A, 24VDC 0.5A Minimum load - 10mA, 5VDC or higher</p> <p>Rated value of alarm output Contact capacity : Resistive load - 30VAC 0.5A, 24VDC 0.2A Inductive load - 30VAC 0.2A, 24VDC 0.1A Minimum load - 10mA, 5VDC or higher</p> <p>There is a case of variation of [Maximum ± 200μV] or [Temperature equivalent to E.M.F. of ± 200μV] under EMC test environment.</p>

■ **TERMINAL BOARD**



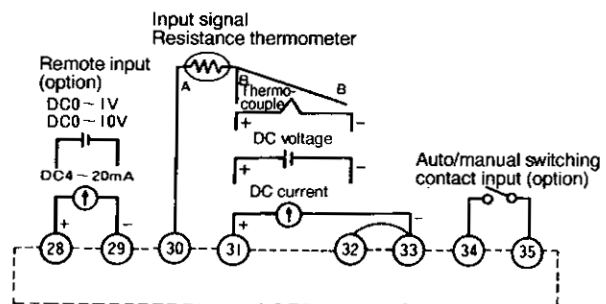
Communication Interface (option)

RS-232C	SD	—	RD	—	SG
RS-422A	SDA	SDB	RDA	RDB	SG
RS-485	SA	SB	—	—	SG

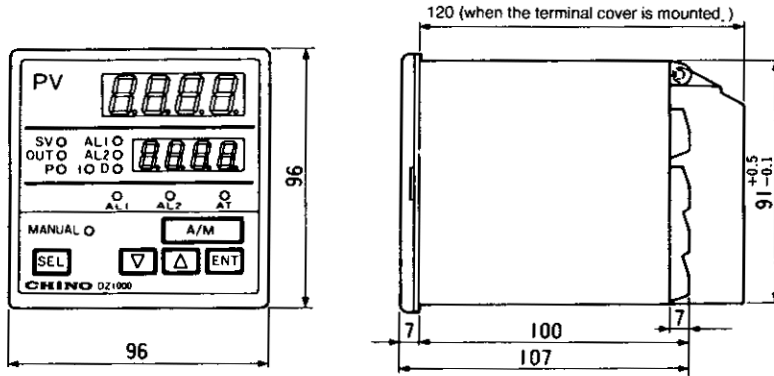


● **Control Output**

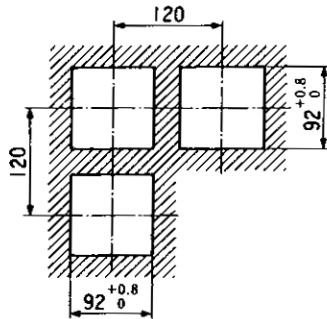
No contact protective device is built in for the on-off pulse type and on-off servo type relay output. Mount the contact protective device externally to meet the load capacity. When the contact protective device is not externally mounted, malfunction may occur due to the melting of relay contacts within a short time. Since this relay is small-sized, it is recommendable to mount a buffer relay externally.



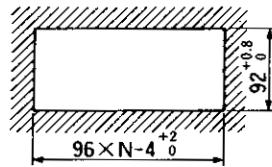
■ EXTERNAL DIMENSIONS



● Panel cutout



● Closed instrumentation panel dimensions



N: No. of mounting instruments

Unit: mm

Specifications subject to change without notice. Printed in Japan (I) 2002. 9 Recycled Paper

CHINO CORPORATION

32-8,KUMANO-CHO,ITABASHI-KU,TOKYO 173-8632
 Telephone : +81-3-3956-2171
 Facsimile : +81-3-3956-0915
 E-mail : inter@chino.co.jp
 Website : http://www.chino.co.jp/