

HN-CJ SERIES

SEPARATED TYPE THERMO-HYGROMETER FOR HIGH-TEMPERATURE



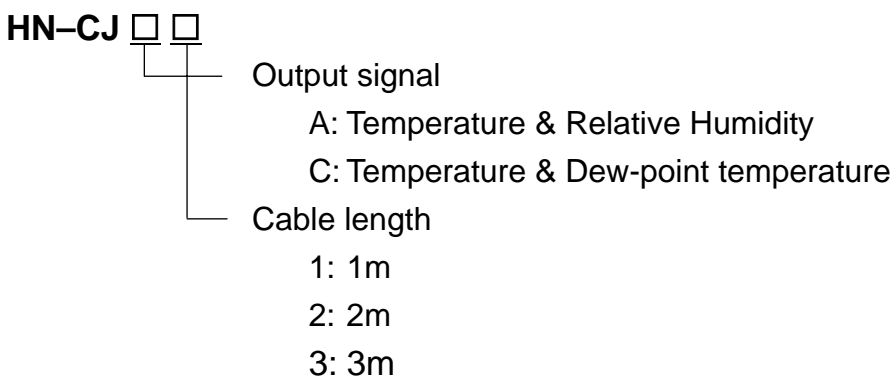
HN-CJ series of separated type thermo-hygrometer are designed for application of pressure up to 1MPa and temperature up to 180°C. Temperature and humidity measurement in pressurized and high temperature environment can be made by improvement of relative humidity scale higher than 100°C, and ruggedize the probe under H₂ environment.



■ FEATURES

- Pressure-proof 1MPa, high temperature 180°C
- Humidity measurement higher than 180°C of dew-point temperature
- Interchangeable plug-in sensor
- High-reliability & ruggedness under H₂ environment
- High-polymer film capacitance type sensor made relative humidity measurement from 0%RH.

■ MODELS

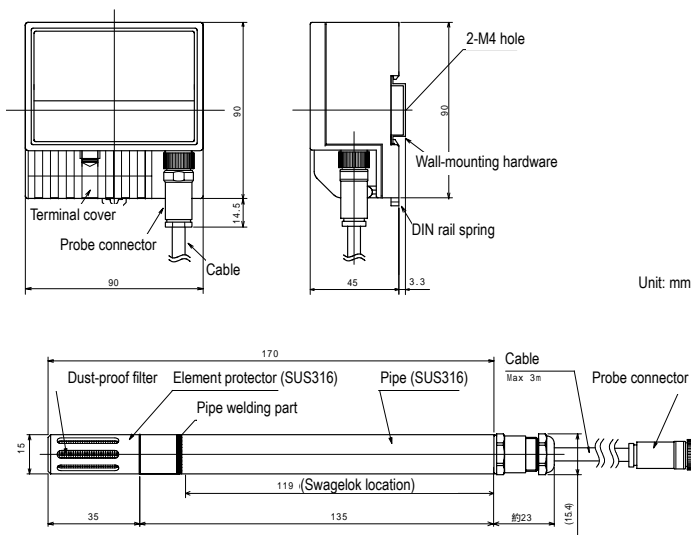


Model	HN-CJA		HN-CJC
Output Signal	Temperature & relative humidity		Temperature & dew-point temperature
Relative humidity	Element	High polymer capacitance type	
	Measuring range	0 to 100%RH (No dew condensation, maximum dew-point temperature 150°C)	
	Accuracy ratings	±2%RH (at 0 to 90%RH and 25°C), ±3%RH (at 90 to 95%RH and 25°C)	
	Temperature coefficient	±0.05%RH/°C (at 5 to 80°C)	
	Response time	Within 30 seconds (90% response)	
Temperature	Element	Platinum resistance thermometer; PT100 JIS class A (JIS C1604-1997)	
	Measuring range	-40 to 180°C	
	Accuracy ratings	±0.5°C (at 25°C) ±0.5±0.002 T-25 °C (T=measured temperature °C)	
Power & Output	Power voltage	12 to 24V DC ±1V	
	Output signal	4 to 20mA DC 2-wire transmission	
		Temperature -40 to 180°C Relative humidity 0 to 100%RH	Temperature -40 to 180°C Dew-point temperature -40 to 180°C (Dew-point temperature is calculated by relative humidity and temperature)
	Resistive load	Lower than 500Ω (at 24V DC power supply)	
	Connecting	Cramp type no screw terminals	
Main unit	Working temperature	0 to 50°C	
	Material	Resin	
	Mounting	By screws (M4 x 2) or mounting on DIN rail	
	External dimensions	W90 x H90 x D45 (mm)	
	Weight	Approx 220g	
	Probe	Working temperature	-40 to 180°C
Withstand pressure		1MPa	
Material		SUS316	
Cable length		1m, 2m or 3m (to be specified when order)	
Interchangeability		Plug-in cable can be replaced.	
Mounting		Mouting by exclusive mounting hardware	
Weight		Approx 350g	
Accessory	Wall-mounting hardware		

Note: The following humidity unit is convertible by combination of HN-CJA and HN-GV1F.

(Absolute humidity g/m³, Relative humidity %RH, Mixing ratio g/kg, Water vapor pressure kPa, Dew-point temperature °C)

EXTERNAL DIMENSIONS



Unit: mm

Specifications subject to change without notice. Printed in Japan (I) 2006. 2 Recycled Paper

CHINO CORPORATION

32-8, KUMANO-CHO, ITABASHI-KU, TOKYO 173-8632

PHONE: +81-3-3956-2171

FAX: +81-3-3956-0915

E-mail: inter@chino.co.jp

Website: <http://www.chino.co.jp>